

Renfort inox / Stainless reinforcement

Contient / Contents :

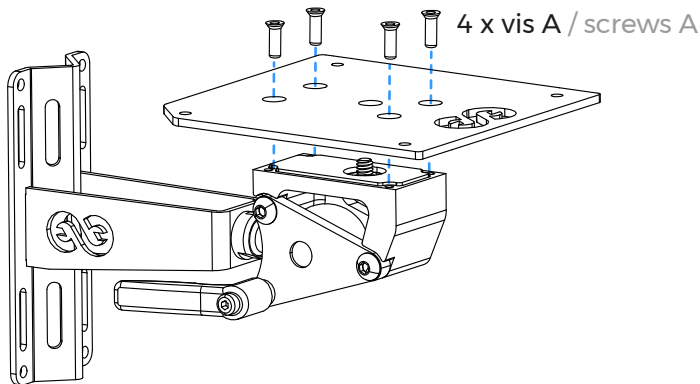
4 x vis tête fraisée (A) / countersunk heads screws (A)

4 x vis tête bombée (B) / dome head screws (B)

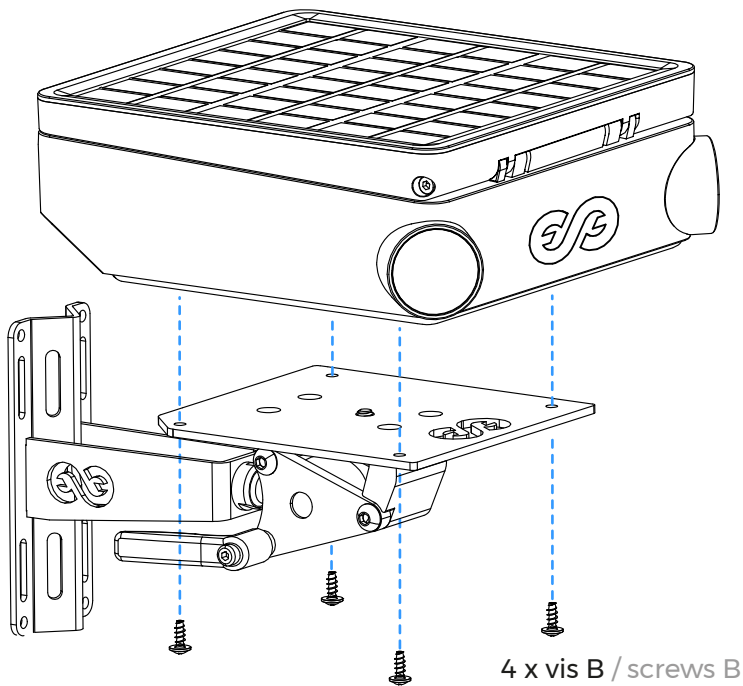
1 x renfort / reinforcement plate

1 x clé hexagonale / hexagon wrench

- 1 Fixer le renfort sur le bras de fixation (4 vis A).
Fix the reinforcement on the arm (4 screws A).



- ② Fixer la caméra Tikee sur le renfort (4 vis B).
Fix the Tikee camera on the reinforcement (4 screws B).



tikee
designed by **enlaps**